

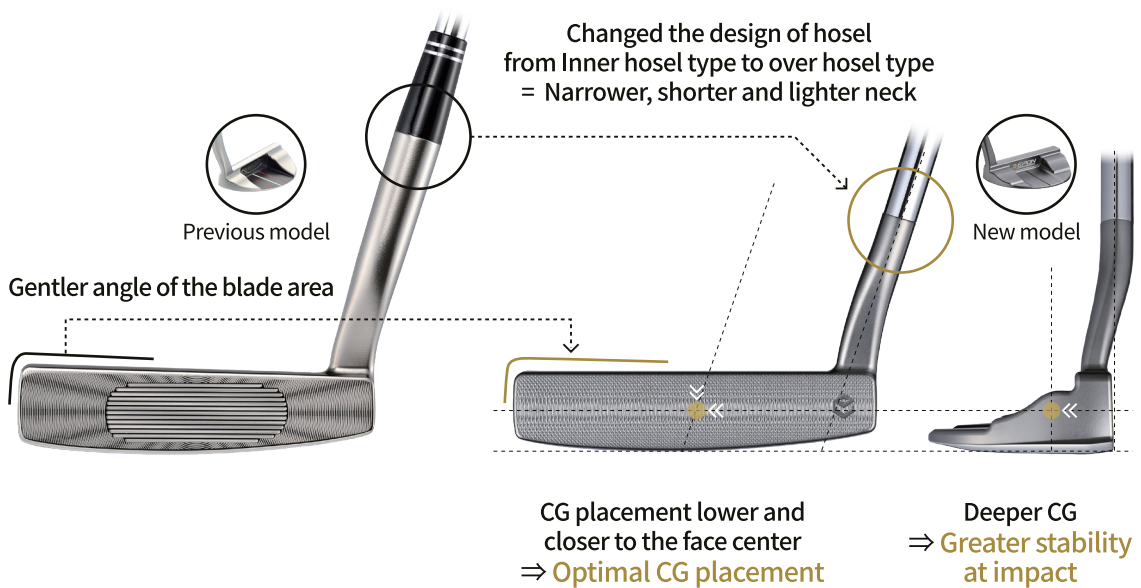
Features

Shin

Compact Mallet Putter with Heel-Shafted Design with Elegant Lines

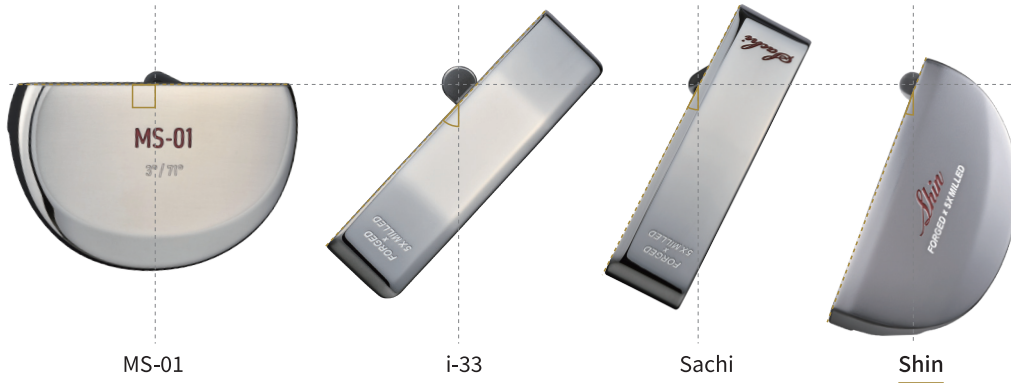


Optimized CG Design due to Refined Form



Face Balance Position

Large Small



MS-01

i-33

Sachi

Shin

Features the most toe hang of the four products



Image

It will suit a player with a stronger arc in their putting stroke