

Features

S:R LD HYB

EPON's First Ladies' HYB Engineered for Maximum Distance



Any-C System designed for maximum distance
A longer section of the shaft enhances dynamic energy

Approx. 1 inch
Longer Flex Length

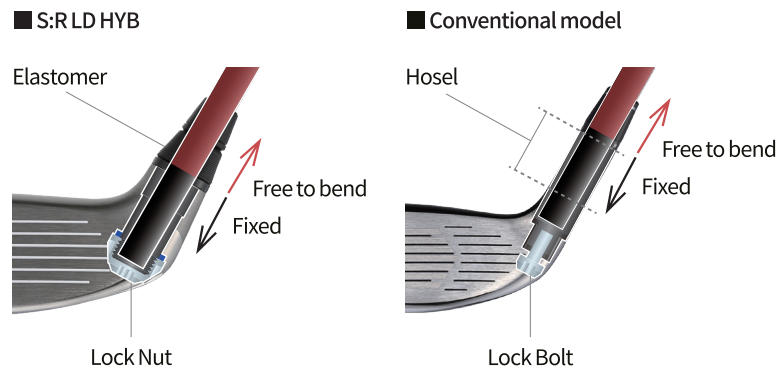


Increased head speed delivers
GREATER DISTANCE

Any-C System: Advanced Construction for Explosive Distance

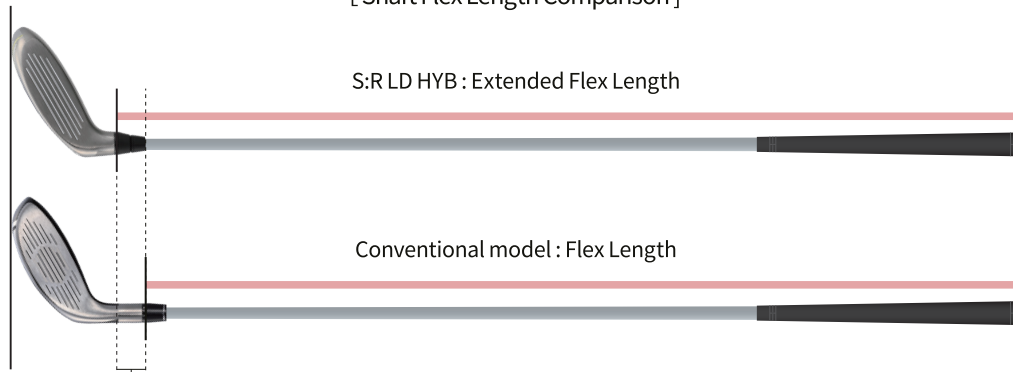
The shaft is free to bend without the hosel

< The hosel bonding area - once rigid in conventional models - is now designed to flex >



The specialized sleeve and lock nut enable deeper shaft insertion into the lower section of the head
→ Lowered hosel bonding area without upper hosel section

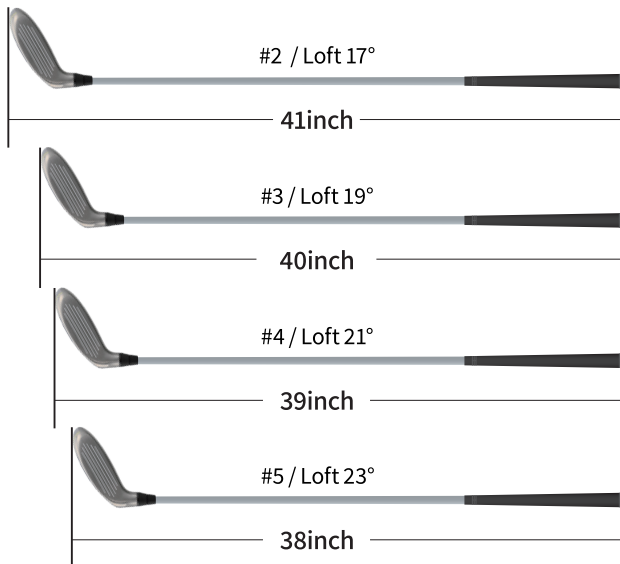
[Shaft Flex Length Comparison]



Approx. 1inch

- Longer shaft flex length at the same club length
- Increased head speed delivers greater distance
- Larger launch angle offers higher trajectory like fairway

Original Club Length Flow



- 1) The conventional 3-hybrid length and loft configuration has been eliminated
→ In its place, a more playable No. 2 hybrid with optimized length and loft is introduced
 - 2) Club lengths progress in 1inch increments
→ The length gap between the #5 hybrid and #6 iron is minimized
- 1)+2)→ This progression makes it easier to achieve consistent, targeted distances throughout the set

Shaft setting example: AIR SPEEDER UT STANDARD

*These specifications are our recommendation. Final setup may be customized as desired.

[8 ANGLE DIALS POSITION SETTING]

Sleeve Position	STD	o0.5+up0.5	o1.0+up1.0	o0.5+up1.5	±0.0+up2.0	c0.5+up1.5	c1.0+up1.0	c0.5+up0.5
F.A.	±0°	o 0.5°	o 1.0°	o 0.5°	±0°	c 0.5°	c 1.0°	c 0.5°
Lie	±0°	+0.5°	+1.0°	+1.5°	+2.0°	+1.5°	+1.0°	+0.5°

o = OPEN c = CLOSED

*Please do NOT reuse the sleeve.

*Please contact our authorized dealers for adjusting FA and lie angle.



S:R Head Torque Wrench

*When using the club, please make sure to tighten the shaft screw with this dedicated torque wrench

*Please do NOT use any other torque wrench for S:R model

S:R Series Club Setting

Simple, intuitive numbering with a performance-driven setup
— free from traditional loft and length flow.

	Driver	HYB					Iron						
No.	#1	#2	#3	#4	#5	#6	#7	#8	#9	PW	AW	SW	
Loft(°)	12.5	17	19	21	23	26	29	33	38	43	49	56	
Lie(°)	59	58.75	59.5	60.25	61	61.5	62	62.5	63	63.5	63.75	64	
Head Weight(g)※	188.5	212.5	221.5	231.5	242	252	258	265	272	279	283	286	
Club Length(inch)	44.75	41	40	39	38	37	36.5	36	35.5	35	34.75	34.5	
Swing Weight	C2	C2	C2	C2	C2	C2	C2	C2	C2	C2	C2	C2	
Shaft	AIR SPEEDER STANDARD	AIR SPEEDER UT STANDARD					AIR SPEEDER IRON STANDARD						

Head Weight : Exclude the weight of elastomer & ferrule

Club Length : 60°measuring method